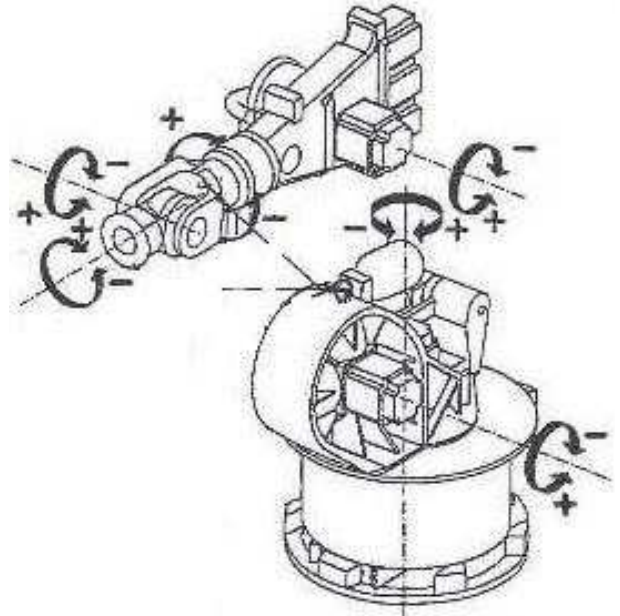


Welding robot KUKA VK 360 with H-turner 9 axis



Product ID	Type of control	Year of construction	Lifting capacity	Working radius	Price	
KUKA VK 360/150	VRS-1b	1997	125kg	2410mm	by request	
Accessories	Welding tool Rehm Mega Arc450-4WS	Clamping surface: 1900x1000 mm Clamping weight: max.:500 kg				
Operating hours						
	Axis 1	Axis 2	Axis 3	Axis 4	Axis 5	Axis 6
Range of motion	185°	-40° +93°	-210° +58°	350°	120°	350°
Motion speed	76%/sec.	76%/sec.	76%/sec.	118%/sec.	128%/sec.	168%/sec.