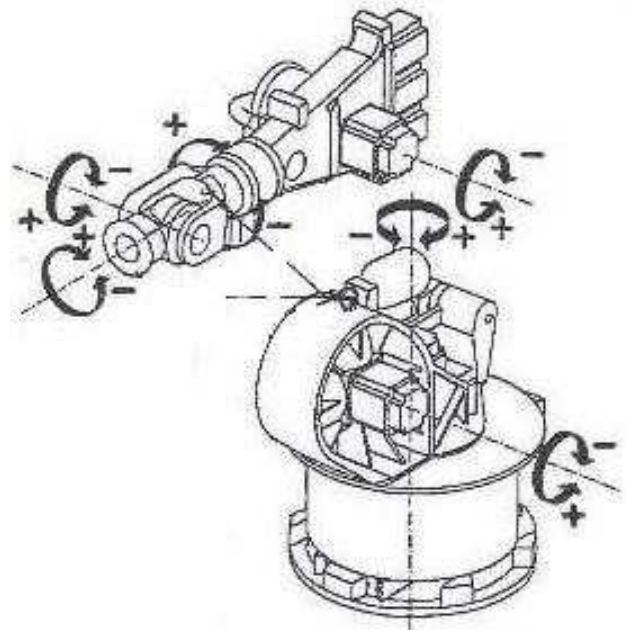


Industrial robot KUKA VK 360 with positioner 8 axis



Product ID	Type of control		Year of construction	Lifting capacity	Working radius	Price
KUKA VK 360	VK360		1997	125kg	2410mm	by request
Accessories	32 digital inputs and 32 digital outputs		with positioner	Clamping surface: 800x800mm	Clamping weight: max. 500kg	welding tool NiMak 500A
Operating hours						
	Axis 1	Axis 2	Axis 3	Axis 4	Axis 5	Axis 6
Range of motion	185°	-40° +93°	-210° +58°	350°	120°	350°
Motion speed	100%/sec.	100%/sec.	100%/sec.	154%/sec.	167%/sec.	251%/sec.