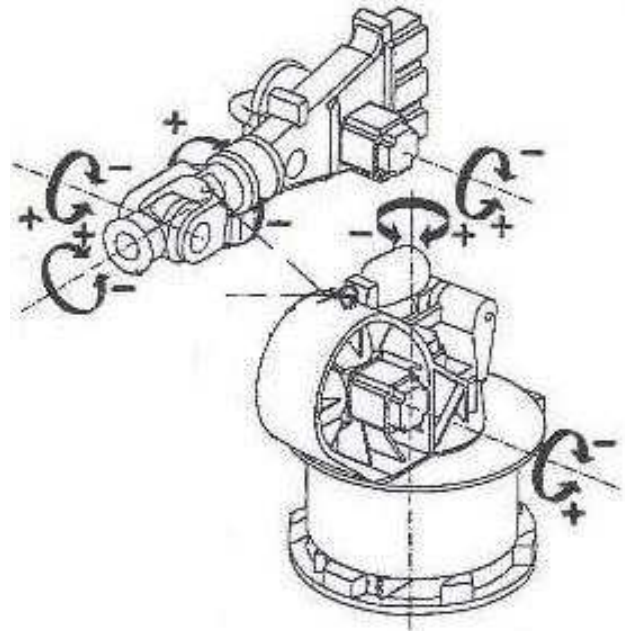


Industrial robot KUKA VK 360/125/150



Product ID	Type of control		Year of construction	Lifting capacity	Working radius	Price
KUKA VK 360	VRS1b		1995-1998	125-200kg	2410mm	by request
Accessories	32 digital inputs and 32 digital outputs		2 analog outputs	Interbus		
Operating hours						
	Axis 1	Axis 2	Axis 3	Axis 4	Axis 5	Axis 6
Range of motion	185°	-40° +93°	-210° +58°	350°	120°	350°
Motion speed	100%/sec.	100%/sec.	100%/sec.	154%/sec.	167%/sec.	251%/sec.