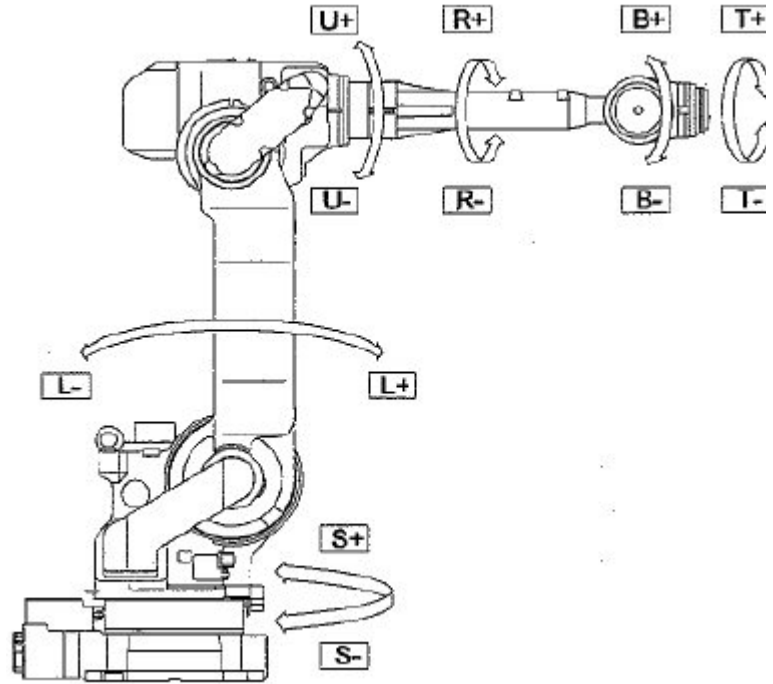


Industrial robot Motoman UP 50-35



Product ID	Type of control		Year of construction	Lifting capacity	Working radius	Price
Motoman UP 50-35	XRC		2004	35kg	2525mm	by request
Accessories	Cabinet	Teach-panel	Documentary	Cable		
Operating hours	approx.: 1000					
	Axis 1	Axis 2	Axis 3	Axis 4	Axis 5	Axis 6
Range of motion	$\pm 180^\circ$	-90° $+135^\circ$	-160° $+280^\circ$	$\pm 360^\circ$	$\pm 125^\circ$	$\pm 360^\circ$
Motion speed	170°/sec.	170°/sec.	170°/sec.	250°/sec.	250°/sec.	350°/sec.